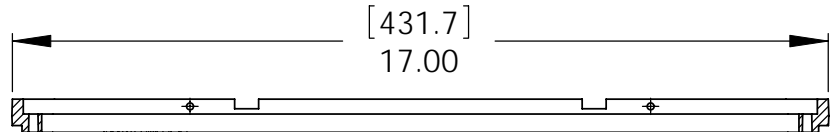
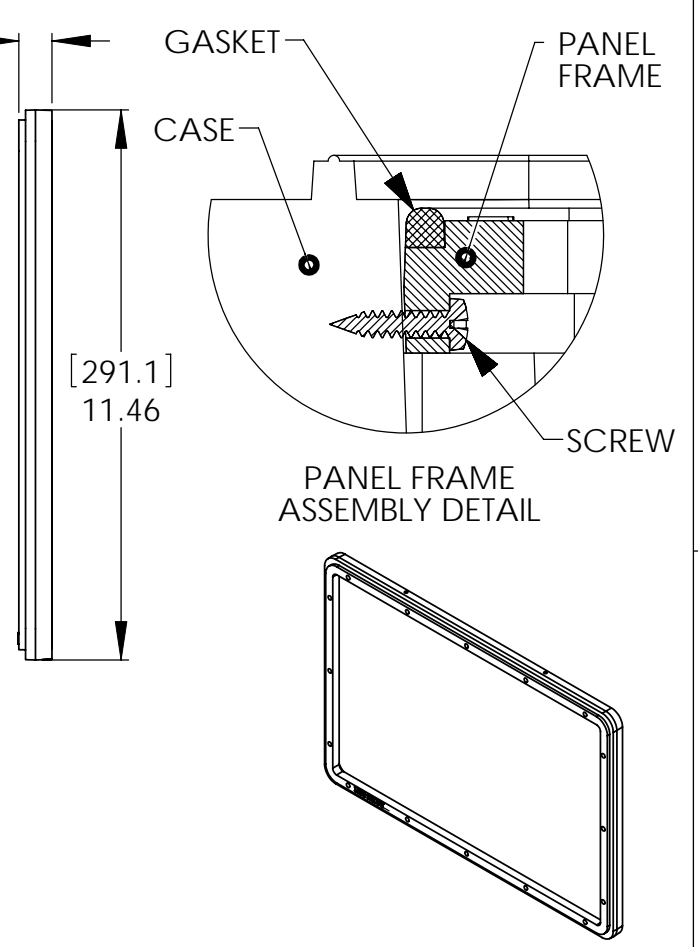


REVISIONS			
REV.	DESCRIPTION	DATE	APPR'VD
PR	PRODUCTION RELEASE SEE ECO 06-030	2/27/2006	BT
A	RELOC MTG HOLES PER 08-060	4/16/2008	BT



SECTION A-A

1. DIMENSIONS IN [] ARE IN MILLIMETERS
 NOTES: UNLESS OTHERWISE SPECIFIED.

DO NOT SCALE DRAWING		TITLE		APPROVALS		DATE	
		1500 PANEL FRAME INSTRUCTION SHEET		DRAWN			
				CHECK			
				APPR			
SIZE	MATERIAL	DRAWG #		REV			
A	SHT 1 OF 1	1503-314-000		A			