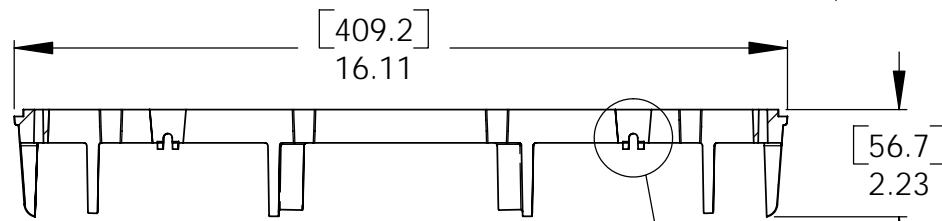
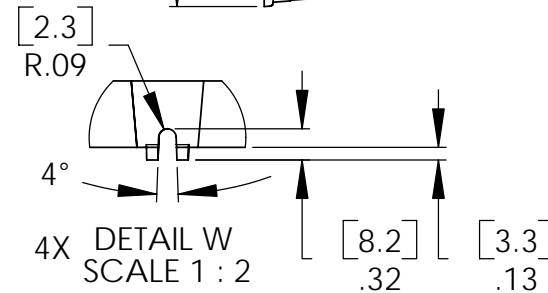
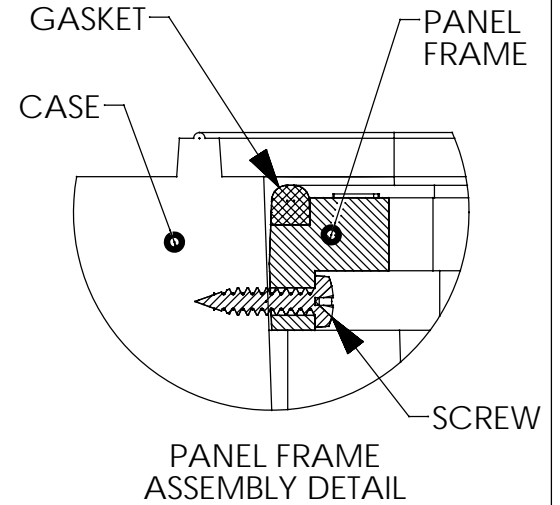
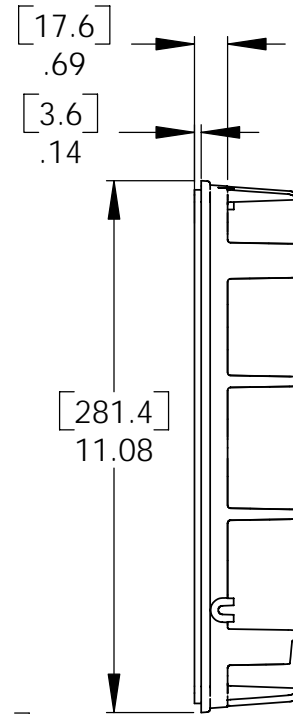
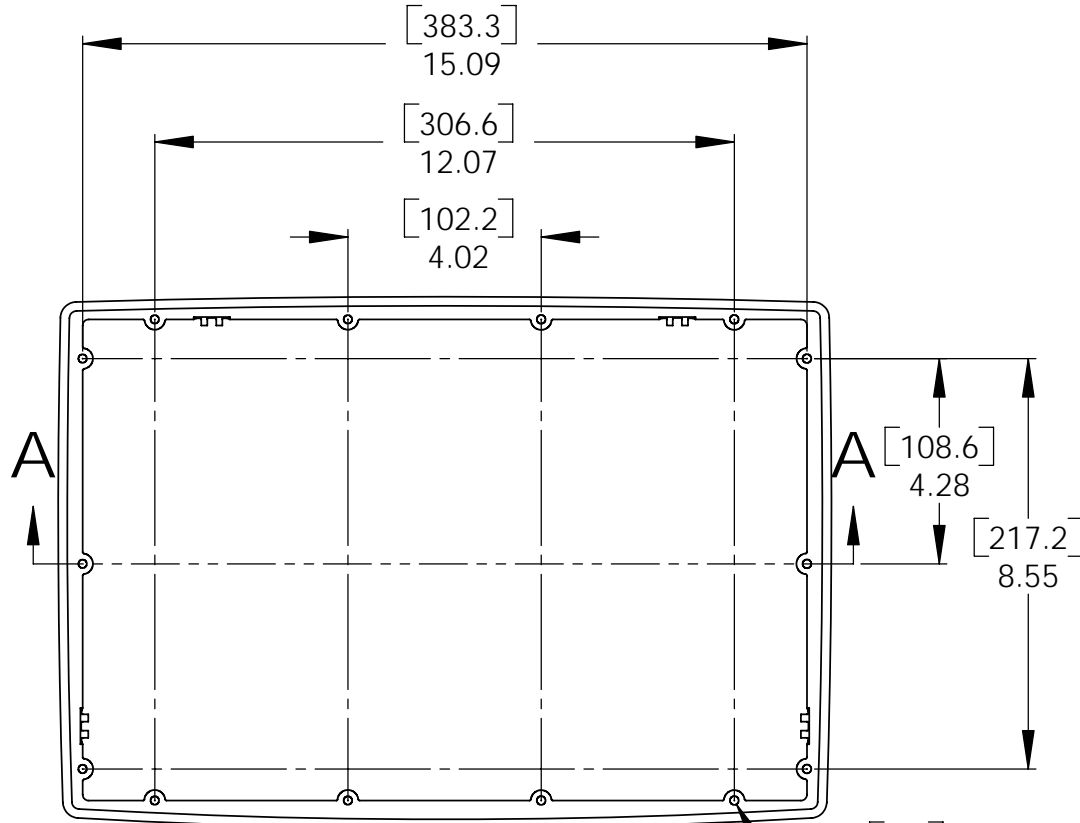


REVISIONS			
REV.	DESCRIPTION	DATE	APPR'VD
PR	PRODUCTION RELEASE	01-05-07	



SECTION A-A
SCALE 1 : 4

W

1. DIMENSIONS IN [] ARE IN MILLIMETERS
NOTES: UNLESS OTHERWISE SPECIFIED.

DO NOT SCALE DRAWING		TITLE		APPROVALS		DATE
		1470 PANEL FRAME INSTRUCTION SHEET		DRAWN	S.H.	01-05-07
				CHECK		
				APPR		
SIZE	MATERIAL	DRAWG #		REV		
A	SHT 1 OF 1	1473-945-110		PR		