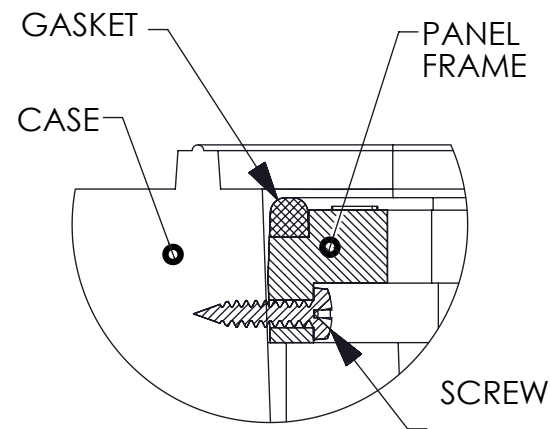
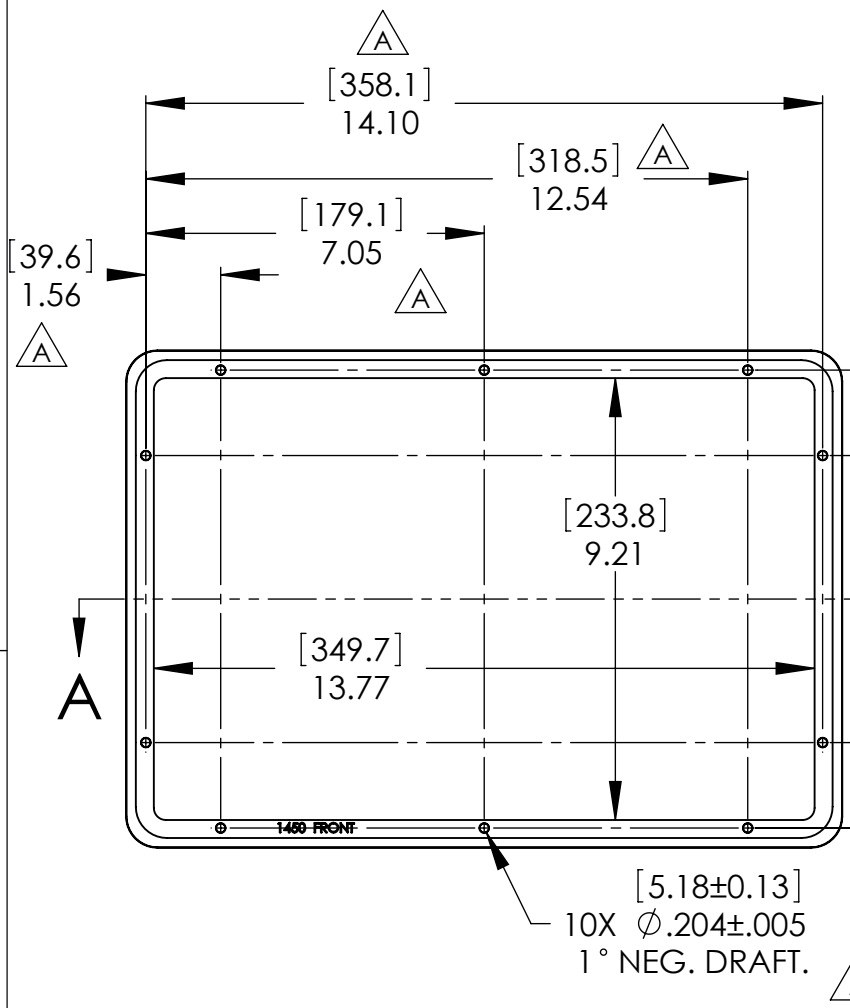
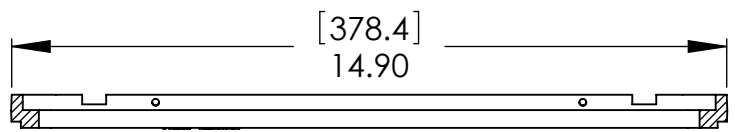
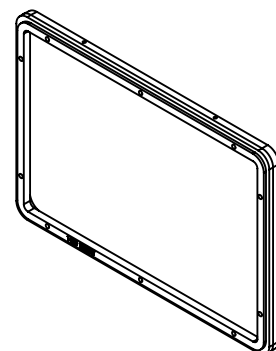


REVISIONS				
REV.	DESCRIPTION	ECO#	DATE	APPR'VD
PR	PRODUCTION RELEASE SEE ECO 06-030		2/24/2006	BT
A	1-14.10" WAS 14.20" AND RELATED DIMENSIONS ADJUSTED ACCORDINGLY. 2- TOLERANCE BLOCK ADDED 3- .005" TOLERANCE ADDED TO .204" DIA. HOLES.	5-0206	05-27-09	SB



PANEL FRAME ASSEMBLY DETAIL



SECTION A-A  
SCALE 1 : 4

1. DIMENSIONS IN [ ] ARE IN MILLIMETERS  
NOTES: UNLESS OTHERWISE SPECIFIED.

TOLERANCES	
[MM]	Inches
.x = ± .76	.x = ± .1"
.xx = ± .25	.xx = ± .03"
	.xxx = ± .010"

TITLE		APPROVALS		DATE
1450 PANEL FRAME INSTRUCTION SHEET		DRAWN		
		CHECK		
		APPR		
SIZE	MATERIAL	DRAWG #		REV
A	SHT 1 OF 1	1453-314-000		A
DO NOT SCALE DRAWING		SCALE		